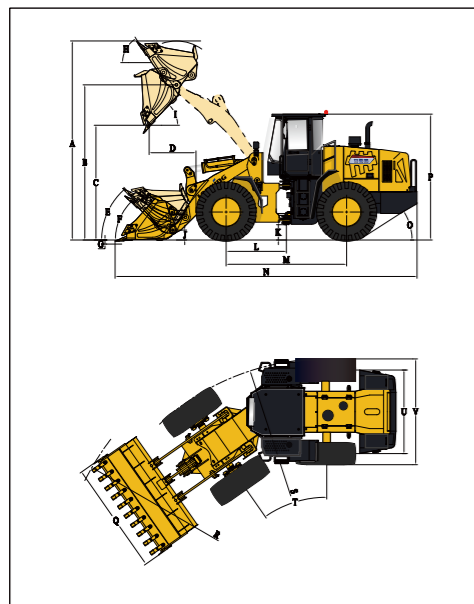


## DIMENSIONS

All dimensions are approximate. Dimensions may vary with bucket and tire choice. Refer to operating specifications.



NO.	DESCRIPTION	UNIT	STD	H D
A	Overall Height – Bucket Raised	mm	5338	5635
B	Bucket Pin Height at Max. Lift	mm	4163	4520
C	Dump Clearance at Max. Lift (45°)	mm	3080	3435
D	Reach at Max. Lift and 45° Dump	mm	1252	1274
E	Rack Back Angle at Carry	°	48	46
F	Rack Back Angle at Ground	°	45	44
G	Digging Depth	mm	50	50
H	Rack Back Angle at Max. Lift	°	53	48
I	Dump Angle at Max. Lift	°	45	45
J	Carry Height	mm	400	400
K	Ground Clearance	mm	408	408
L	Center Line of Front Axle to Hitch	mm	1650	1650
M	Wheel Base	mm	3300	3300
N	Overall Length	mm	8220	8560
O	Departure Angle	°	28	28
P	Height to Top of Cab	mm	3380	3380
Q	Overall Width over Bucket	mm	3010	3010
R	Min. Turning Radius over Bucket	mm	7210	7450
S	Min. Turning Radius over Tires	mm	6665	6665
T	Steering Angle – Left/Right	°	35	35
U	Width at Tread Center	mm	2240	2240
V	Overall Width over Tires	mm	2835	2835

## TECHNICAL PARAMETERS

BASIC	Bucket Capacity	3.0m <sup>3</sup>
	Rated Payload	5000kg
	Operating Weight	17300(HD17700)±300kg
	Traction Force	155±3kN
	Breakout Force	170±3kN
	L×W×H	8220(8560)×3010×3380mm
ENGINE	Maker/Model	WEICHAH/WD10G220E21
	Rated Power	162kW/2200rpm
	Maximum Torque	860N·m/1400-1600rpm
	Bore x Stroke (mm)	126×130mm
	No. of Cylinders /Displacement	6/9.726L
	Air Cleaner	Three Stage Air Cleaner
	Alternator	70Amp
	Battery	2-24V/120Ah
	Starting Motor	24V/7.5kW
	DRIVE TRAIN	Transmission Type
Shift Type		Mechanical Powershift Control
Pressure of Transmission		1.1-1.5MPa
Torque Converter Type		Single-stage, Duo-turbine, 4-element
Axles		Rigid (Front)&Oscillating (Rear)
Rear Axle Oscillation (°)		±10°
Differential		Conventional
Main Reducer		Spiral Bevel, 1-stage Reduction
Final Reducer		Planetary Reduction
Tire		23.5-25 L-3 16PR TT
Travel Speed-Forward		11.5/36 km/h
Travel Speed-Reverse		16 km/h
BRAKE SYSTEM	Service Brake	Gas Push Oil Caliper Brake
	Setting Pressure	0.70-0.78MPa
	Parking Brake	Air Actuated Caliper Brake
	Emergency Brake	Air Actuated Caliper Brake
STEERING SYSTEM	Type	Hydraulic Load Sensing System
	Pump	176L/min·2200rpm
	System Pressure	15MPa
	Cylinder Type	Double Acting
HYDRAULIC SYSTEM	Steering Angle	±35°
	Type	Joystick Control (Single-lever)
	Pump	220L/min·2200rpm
	Control Valve	2 Spool
SERVICE REFILL CAPACITY	System Pressure	16MPa
	Cycle Time (Sec)	11
	Fuel Tank (L)	285L
	Hydraulic Tank (L)	270/275(3rd Spool)L
	Crankshaft (L)	20L
Transmission (L)	46L	
Front Axle/Rear Axle (L)	28L/28L	

## CONFIGURATION

WEICHAH Engine
LONKING Transmission
Mechanical Powershift Control
LONKING Axles (Dry type)
Joystick Working Control (Single-lever)
Air Actuated Caliper Brake
ROPS&FOPS Cabin
Mechanical Instrument Panel
Warm-air Machine

## OPTIONAL

High Dump
Oil-bath Air Filter
Radial Tires
Limited Lifting Position
3rd Spool for Auxiliary Function
Sliding Cabin Window
Electric Heating Rear Window
Lockable Oil Tank Cap
Rear View Camera
Air Conditioner
Radio/MP3
Bucket(3 Piece Cutting Edges)
Rock Bucket(3.0m <sup>3</sup> )
Enlarged Bucket(3.5m <sup>3</sup> )
Coal Bucket(4.2m <sup>3</sup> )
Log Grapple
Grass Grapple
Side Tip Bucket
Marble Fork
Log Fork
Quick Hitch Coupler
Quick Hitch Bucket
4in1 Bucket(Quick Hitch Only)
Snow Blade(Quick Hitch Only)

# LONKING 龙工

## ZL50NC WHEEL LOADER

Efficiency Rules the Future



For more information on Lonking products,  
Please contact our local agent:

The following blank can be used for notes or comments.

- RATED POWER: 162kW/2200rpm
- BUCKET CAPACITY: 3m<sup>3</sup>
- RATED PAYLOAD: 5000kg
- OPERATING WEIGHT: 17300(17700)kg